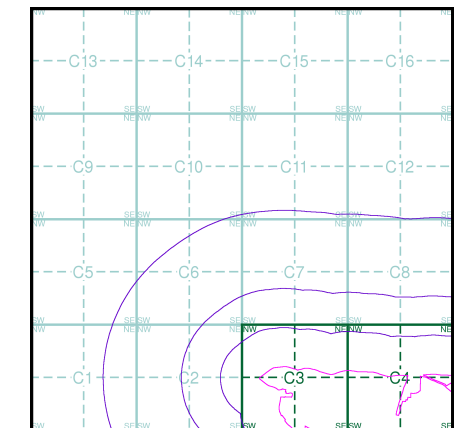


- General**
- Specified Site
 - Specified Buffer(s)
 - Bearing Reference Point
 - Map ID
 - Several of Type at Location
- Agency and Hydrological**
- Contaminated Land Register Entry or Notice (Location)
 - Contaminated Land Register Entry or Notice
 - Discharge Consent
 - Enforcement or Prohibition Notice
 - Integrated Pollution Control
 - Integrated Pollution Prevention Control
 - Local Authority Integrated Pollution Prevention and Control
 - Local Authority Pollution Prevention and Control
 - Local Authority Pollution Prevention and Control Enforcement
 - Pollution Incident to Controlled Waters
 - Prosecution Relating to Authorised Processes
 - Prosecution Relating to Controlled Waters
 - Registered Radioactive Substance
 - River Network or Water Feature
 - River Quality Sampling Point
 - Substantiated Pollution Incident Register
 - Water Abstraction
 - Water Industry Act Referral
- Waste**
- BGS Recorded Landfill Site (Location)
 - BGS Recorded Landfill Site
 - EA Historic Landfill (Buffered Point)
 - EA Historic Landfill (Polygon)
 - Integrated Pollution Control Registered Waste Site
 - Licensed Waste Management Facility (Landfill Boundary)
 - Licensed Waste Management Facility (Location)
 - Local Authority Recorded Landfill Site (Location)
 - Local Authority Recorded Landfill Site
 - Registered Landfill Site
 - Registered Landfill Site (Location)
 - Registered Landfill Site (Point Buffered to 100m)
 - Registered Landfill Site (Point Buffered to 250m)
 - Registered Waste Transfer Site (Location)
 - Registered Waste Transfer Site
 - Registered Waste Treatment or Disposal Site (Location)
 - Registered Waste Treatment or Disposal Site
- Hazardous Substances**
- COMAH Site
 - Explosive Site
 - NIHHS Site
 - Planning Hazardous Substance Consent
 - Planning Hazardous Substance Enforcement
- Geological**
- BGS Recorded Mineral Site
- Industrial Land Use**
- Contemporary Trade Directory Entry
 - Fuel Station Entry

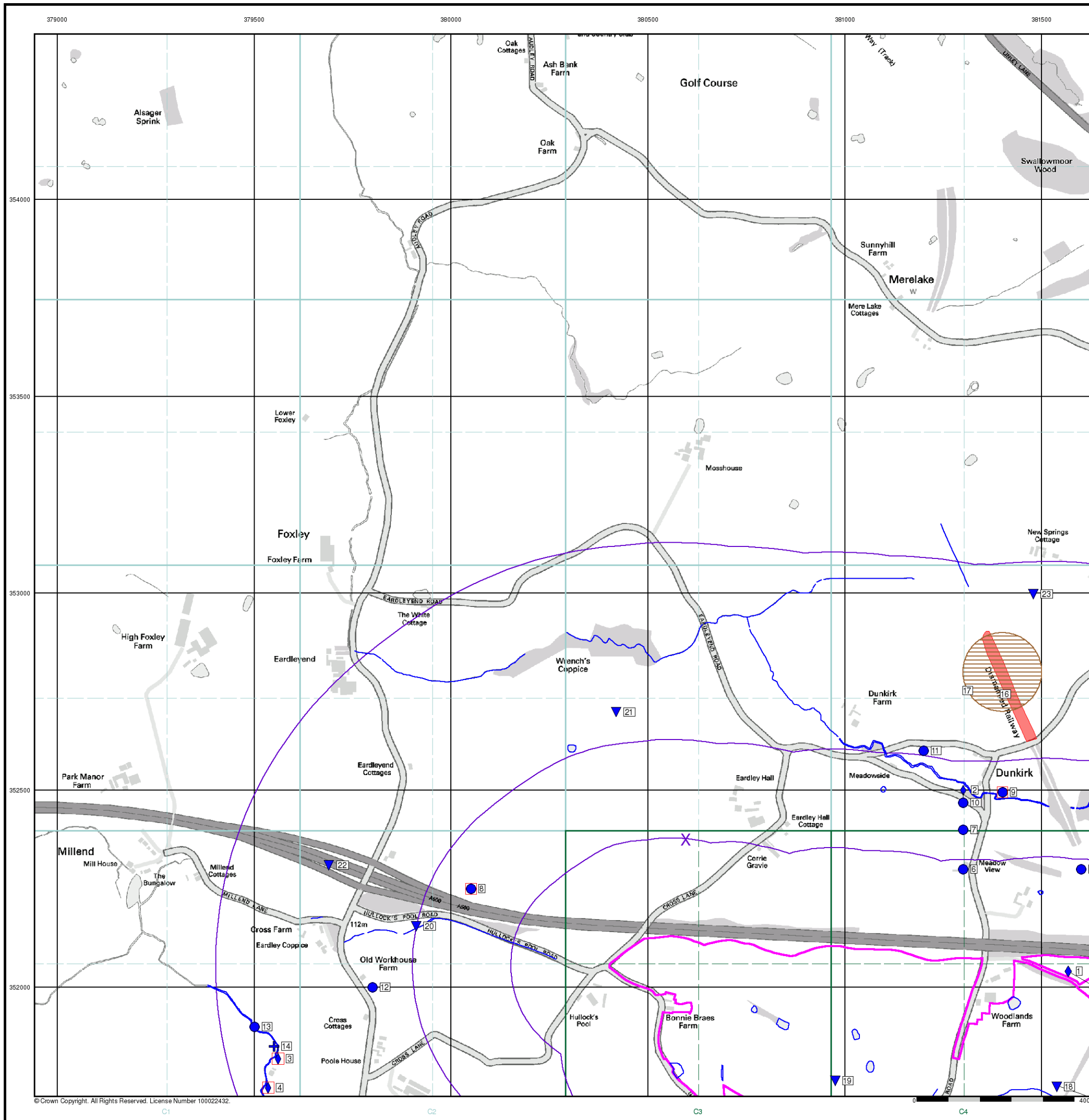
Site Sensitivity Map - Slice C



Order Details


Order Number: 38904607_1_1
 Customer Ref: A075840
 National Grid Reference: 380600, 352370
 Slice: C
 Site Area (Ha): 205.58
 Search Buffer (m): 1000

Site Details
 Great Oak, ST7 8QH








© Crown Copyright. All Rights Reserved. License Number 100022432.

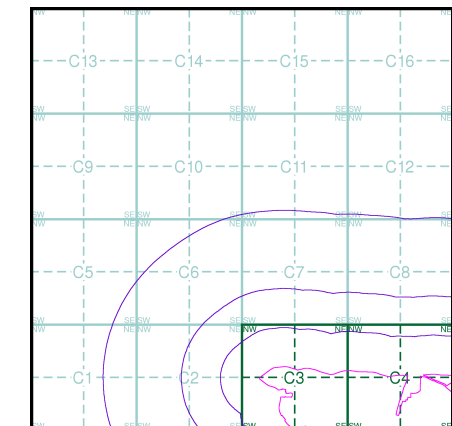
General

-  Specified Site
-  Specified Buffer(s)
-  Bearing Reference Point

Agency and Hydrological (Flood)

-  Extreme Flooding from Rivers or Sea without Defences (Zone 2)
-  Flooding from Rivers or Sea without Defences (Zone 3)
-  Area Benefiting from Flood Defence
-  Flood Water Storage Areas
-  Flood Defence

Flood Map - Slice C

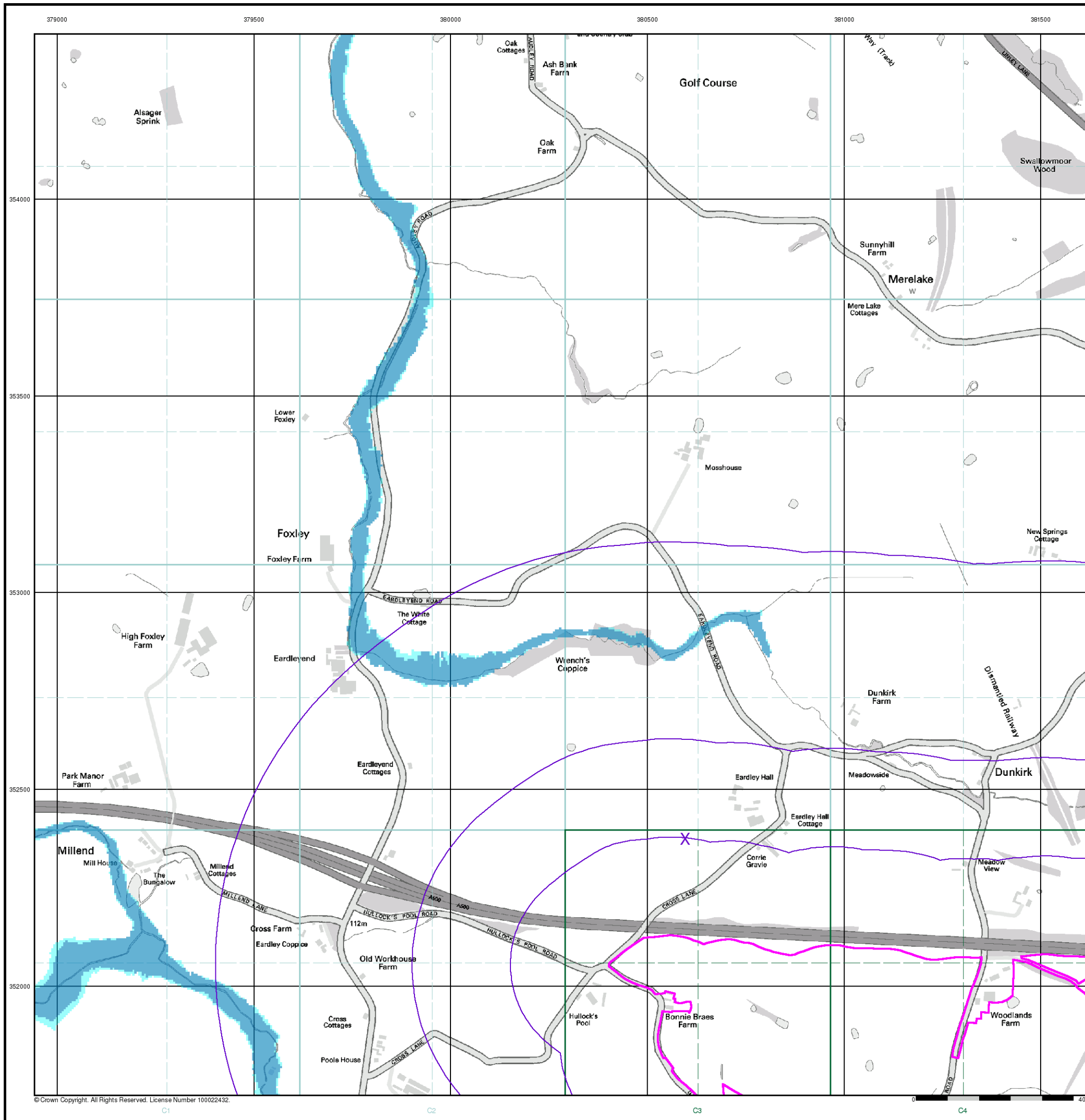


Order Details

Order Number: 38904607_1_1
 Customer Ref: A075840
 National Grid Reference: 380600, 352370
 Slice: C
 Site Area (Ha): 205.58
 Search Buffer (m): 1000

Site Details

Great Oak, ST7 8QH



© Crown Copyright. All Rights Reserved. License Number 100022432.

General

- Specified Site
- Specified Buffer(s)
- Bearing Reference Point
- Map ID
- Several of Type at Location

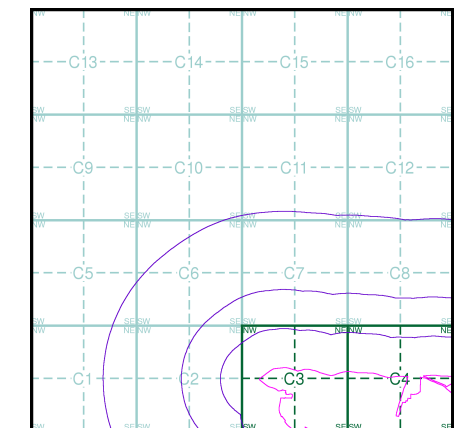
Agency and Hydrological (Boreholes)

- BGS Borehole Depth 0 - 10m
- BGS Borehole Depth 10 - 30m
- BGS Borehole Depth 30m +
- Confidential
- Other

For Borehole information please refer to the Borehole datasheet which accompanied this slice.

A copy of the BGS Borehole Ordering Form is available to download from the Support section of www.envirocheck.co.uk.

Borehole Map - Slice C

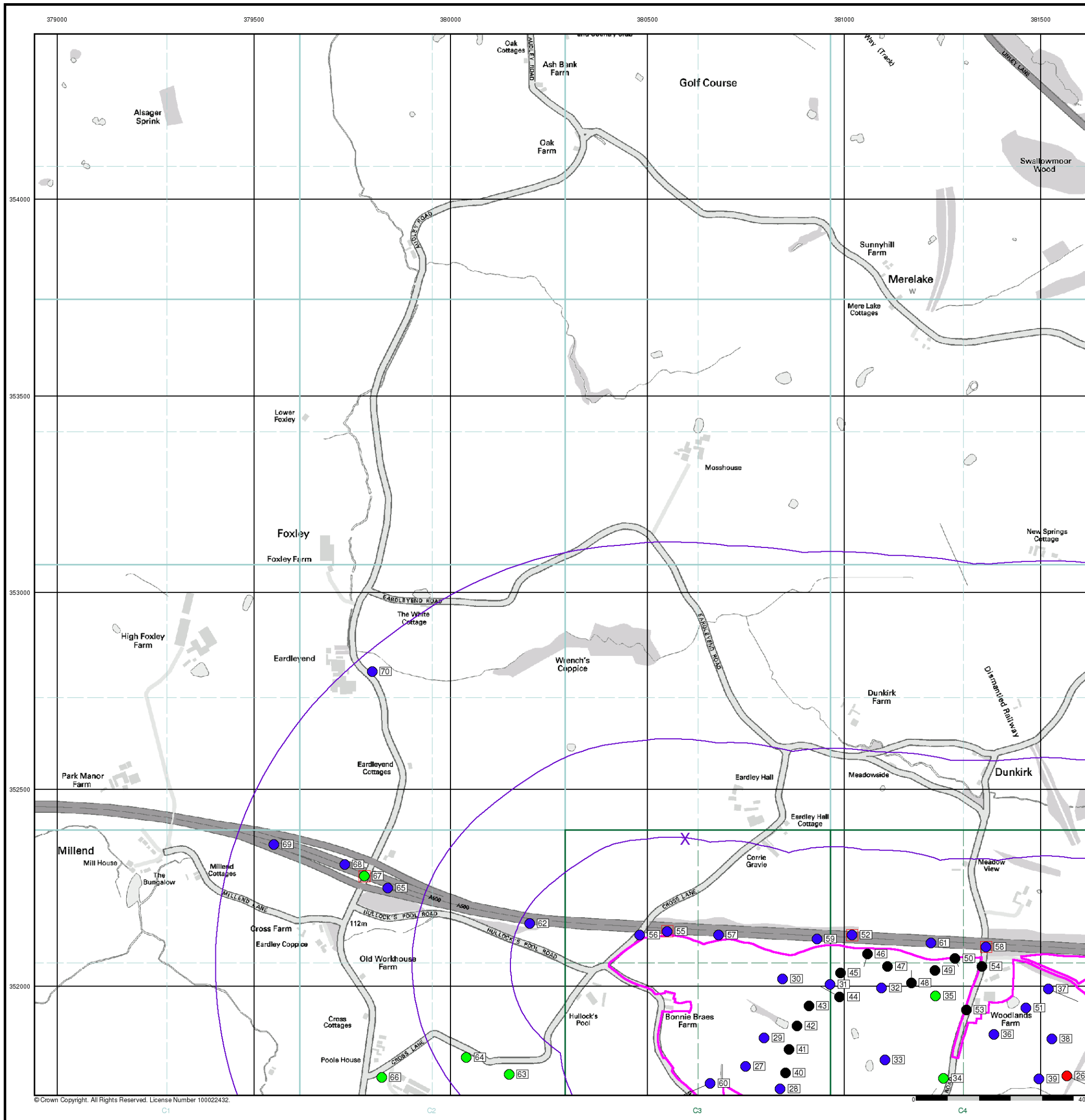


Order Details

Order Number: 38904607_1_1
 Customer Ref: A075840
 National Grid Reference: 380600, 352370
 Slice: C
 Site Area (Ha): 205.58
 Search Buffer (m): 1000

Site Details

Great Oak, ST7 8QH



© Crown Copyright. All Rights Reserved. License Number 100022432.